



## QX Power Purifiers

The problem facing every hi-fi system in the world is the quality of the power it receives. The problem facing their owners is what exactly to do about it – especially when there are so many products offering “answers”. The trouble is, that all too often those answers throw out the baby with the bathwater, causing more problems than they solve. Why?

Because when it comes to your AC supply, low source impedance, unimpeded peak current and an uninterrupted ground path are all critical. Yet heavy-handed attempts to cure waveform inaccuracies and fluctuations in voltage levels impact on exactly those key areas.

QRT's proprietary technology delivers a unique, non-intrusive solution to the problems associated with AC power supply quality. Because it operates in parallel to the power line, it doesn't compromise either the peak current capabilities of your power supply, or the integrity of your grounding. Nor does it compromise the source impedance.

Each Qx unit contains an array of QRT field generators (two in the Qx2, four in the twice as powerful Qx4) that act to alleviate the impact of poor quality mains power on your sensitive electronics, limiting RFI and timing errors associated with the AC line. Place a Qx2 or Qx4 unit at the heart of your system and you'll hear a lower noise floor, greater dynamic range, more fluid musical expression and greater space and ambience. Or, to put it another way, Quantum's Qx technology will move you closer, much closer, to the performances recorded on your discs: Results that you can hear, results that can be measured.



- Unique QRT field-generation technology
- Non-intrusive design maintains AC source impedance and peak current capability
- Cost effective modular system topology
- Equally effective on audio and AV/picture quality
- Measurable impact on system performance

Together with the QBASE distribution unit, QRT's Qx field generators offer a powerful and uniquely effective, modular solution to the problems of poor AC quality: one with real, readily audible sonic and musical benefits. And the best bit that we've left for last? The more Qx units you use, the greater the benefit, meaning no more obsolete products, no more losses on your investment, no more costly trade ins. Just add more QRT as and when you can...

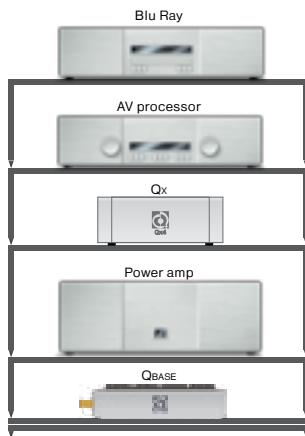
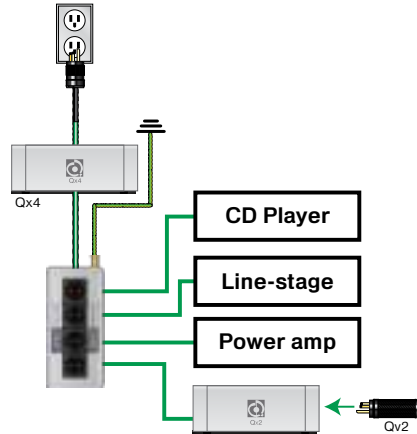
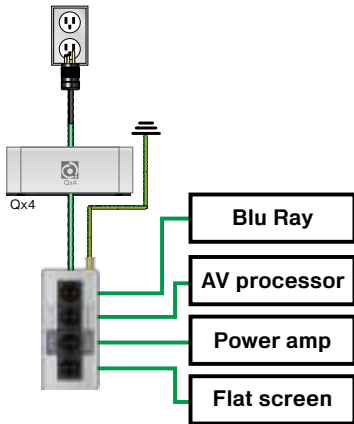
### QRT Qx2 and Qx4 - Bringing music home

QRT Qx units are available fitted with a US (NEMA), Eu (Schuko), UK (13A) or Australian outlet and in either 110V/60Hz or 230V/50Hz models as appropriate. The heavy gauge aluminum casework is mechanically tuned to reduce vibrational affects while each unit carries a two-year warranty.

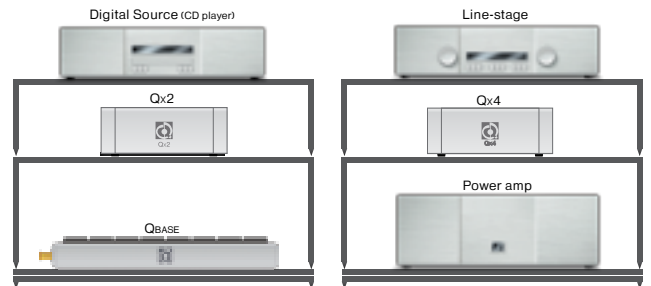
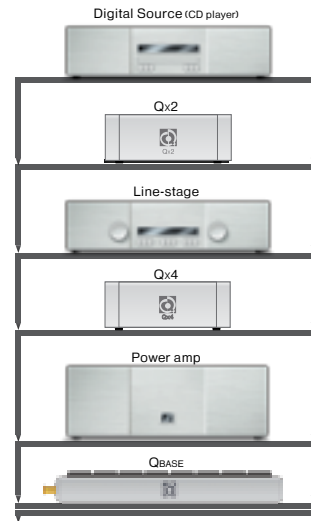


Instructions included and also available from:  
[www.nordost.com](http://www.nordost.com)

# Installing and Positioning The Qx Unit



Qx4 in a simple AV system



Multiple Qx units in a high quality two-channel set up

# QRT™

Distributed worldwide by

# NORDOST