

 BASE /  SOURCE

STAND MOUNT

INSTRUCTION MANUAL



QRT®

QBASE / QSOURCE STAND MOUNT

Easily support your QBASE or QSOURCE unit with Nordost Sort Kones, mount it to the wall, or stabilize and lift it higher off of your floor or rack.

USE WITH:

QSOURCE



QBASE Mark II
QB4

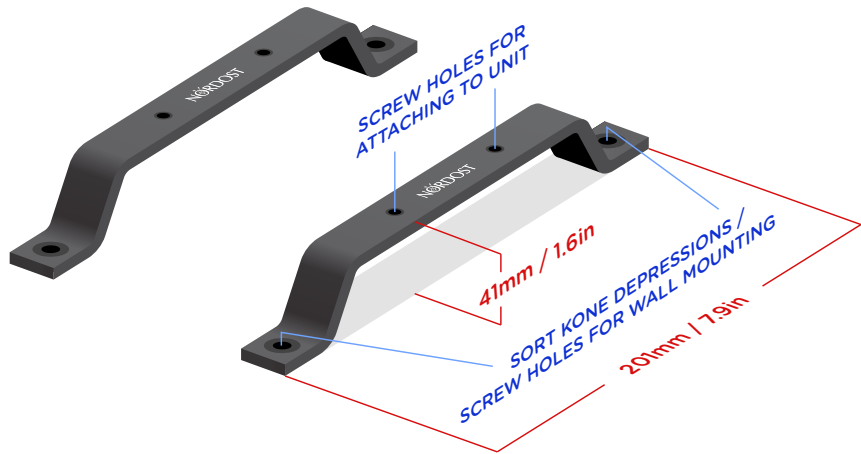


QBASE Mark II
QB6



QBASE Mark II
QB8

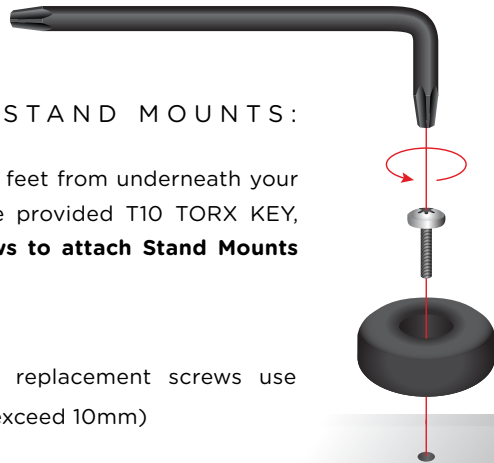




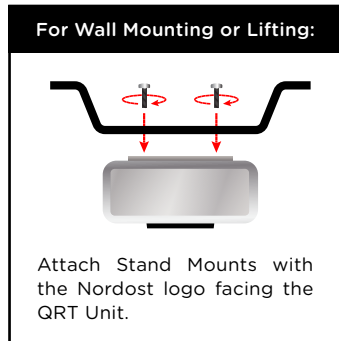
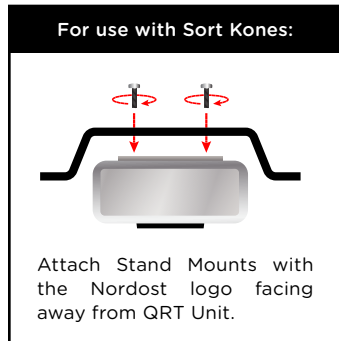
ATTACHING STAND MOUNTS:

Unscrew the rubber feet from underneath your QRT unit, using the provided T10 TORX KEY, and **keep the screws to attach Stand Mounts in their place.**

Note: If you need replacement screws use M3x0.5x10 (do not exceed 10mm)



With the QRT unit on its back, line up the center holes on the Stand Mounts with the feet holes on either end of the unit. Screw on, using the T10 TORX KEY (do not over-tighten).



WALL MOUNTING

Use appropriate screws (not included) to affix unit to wall. Recommended screw size is M5 or #12 (US).



SUPPORTING WITH SORT KONES

Simply arrange four Sort Kones tip-side up in the depressions of the Stand Mounts.





NÖRDOST



QRT®



See www.nordost.com/downloads.php
for more language options